

Specification Led TL80 Zoomable Tracklight

Power and CCT adjustable by Dipswitch





Product specification

INTERIOR TRACK LIGHT	
Installation	Track light
Cut out	-
Dimension	D80x 170 x 228mm

Item Specifications

Model No.	TL8020WCCTZW	TL8030WCCTZW	TL8040WCCTZW
Wattage	10W-15W-20W	20W-25W-30W	30W-35W-40W
Output Lumen	900-1950lm	1800-3070lm	2700-3950lm
Luminous efficacy	90-100lm/W@CRI RA 90 (PREMIUM)		
CCT	2700K/3000K/4000K (3 CCT)		
CRI	Ra>90 (CRI RA >90 ,PREMIUM)		
IP Rating	IP20		
Operating temperature	-20°C to +45°C		
Input voltage	AC220-240V, 50-60Hz		
Warranty	3 years warranty		
Lifespan	>50000hrs		
Beam angle	20-60°		
Intelligent Control	ON/OFF		

Technical character	
Insulation	CLASS I
Protection	IP 20
Tilt	0~90°
Rotate	0~355°
Operating temperature	-20~40°C
Average Failure Time	L70(10k) >60000 (h)

Materials	
Luminaire	aluminum die-casting
Reflector	Reflector
Heat sink	aluminum die-casting
Gear box	Driver In-track
Color available	white / black
Adaptor	3-Phase -4 wires

Package

outer box 490*420*340 mm
13kg 12PCS/CTN

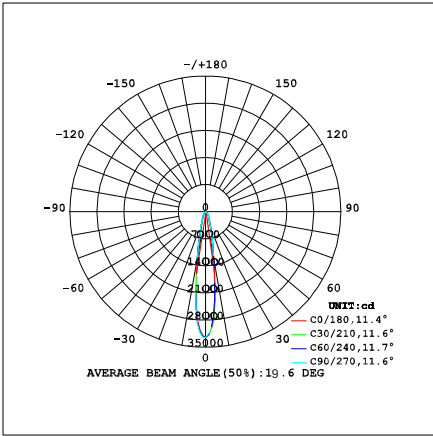
Accessories

Remarks

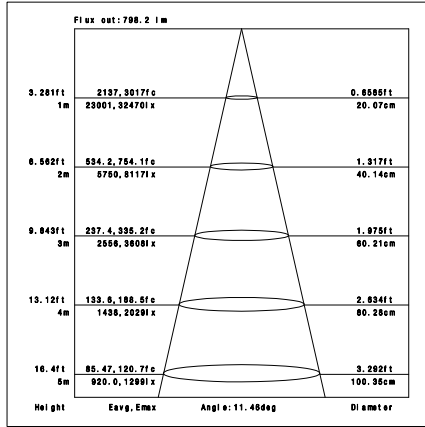


Photometric

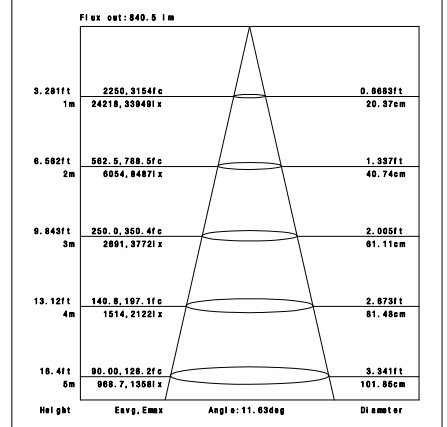
CRI80 20°



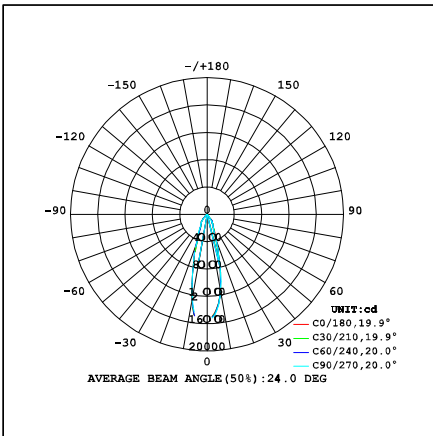
3000K



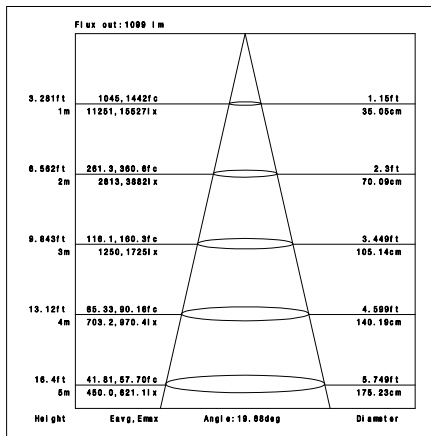
4000K



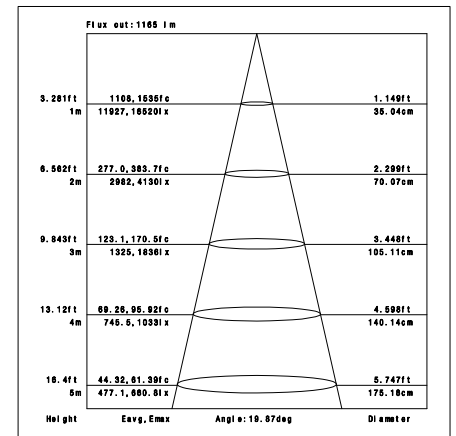
CRI80 24°



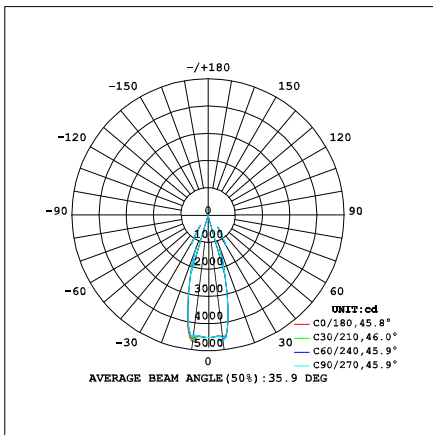
3000K



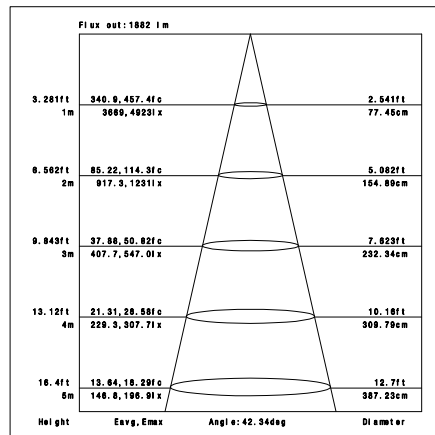
4000K



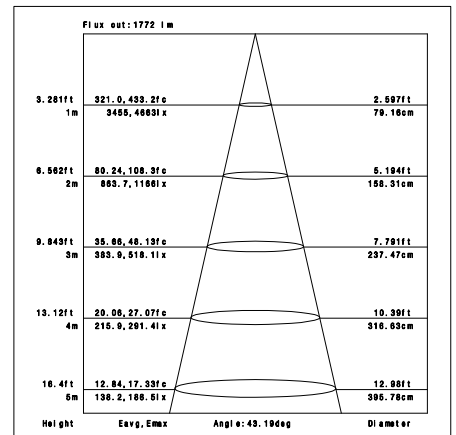
CRI80 38°



3000K

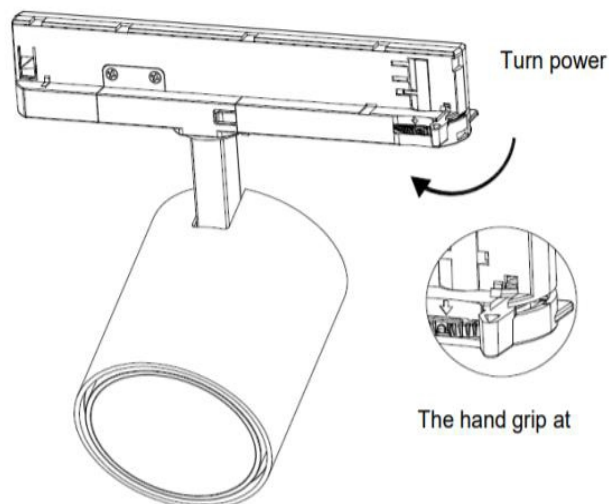


4000K

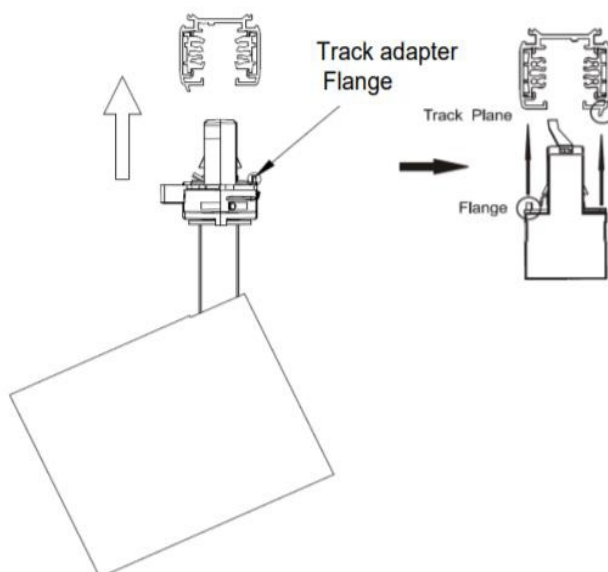


Installation

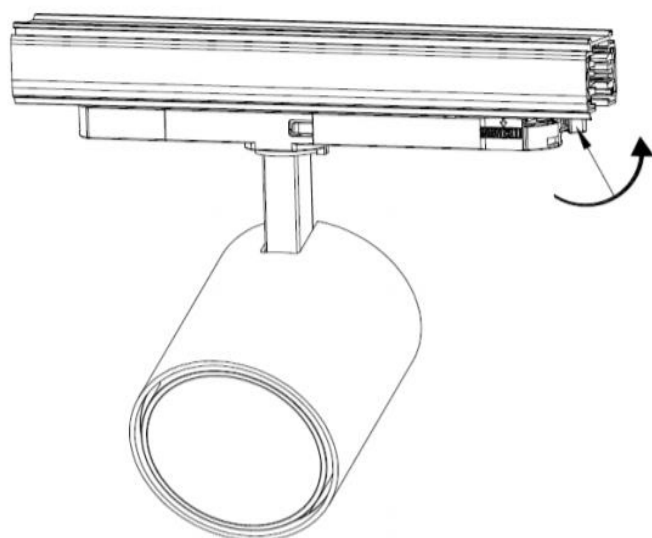
1. Make the power knob to off, and the hand grip at the right position



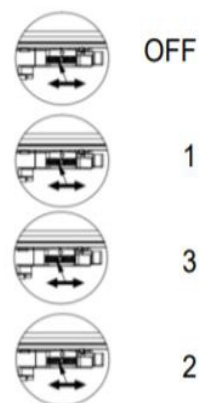
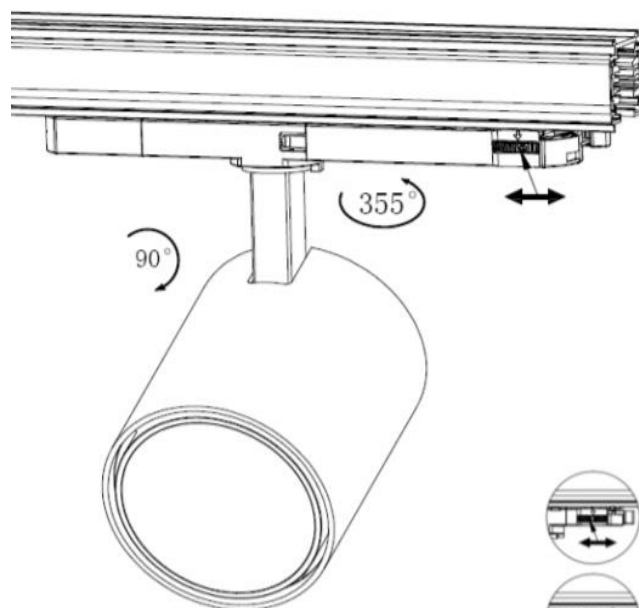
2. Make sure the track adapter flange is in the same track plane
Then put the track adapter into the track



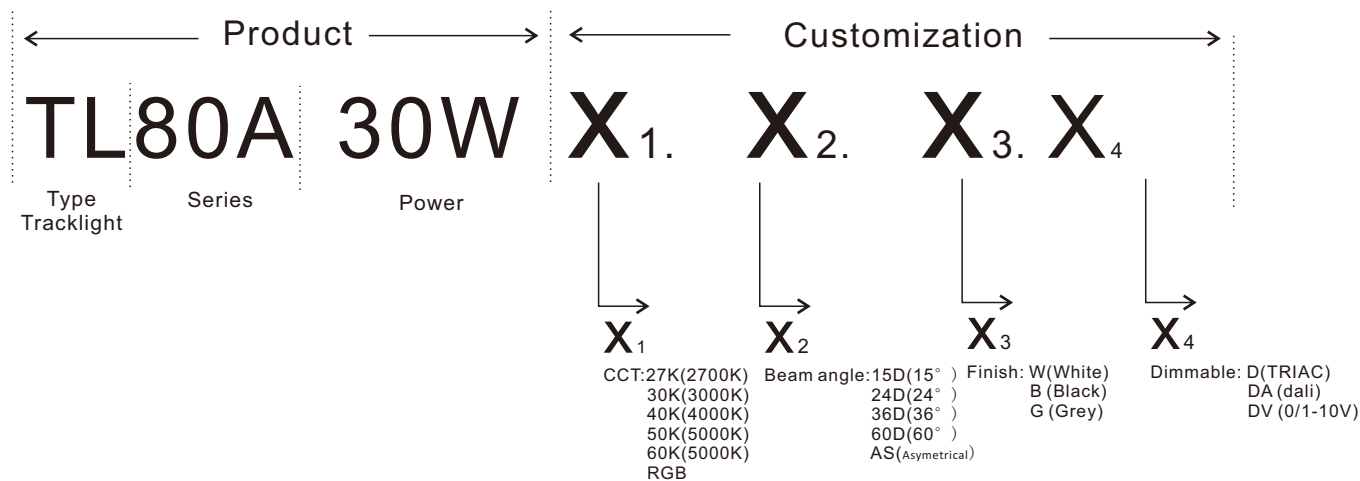
3. Revolve the hand grip to lock the track adapter



4. Turn the power knob to choose phase 1-3-2, then finish



Product Model NO:



Applications:

Widely applied for accent lighting or wall washer in retail shops, galleries, meuseum or any other interior lighting.



fashion



home store



department store



automotive



consumer electronics



food